

MB Correction

Reissue date: **30-Jun-97**

The callouts were missing from the illustration on the second page. Please replace with the corrected page.

Model: I/K Kit Type D for Azalea		Date: 15-Apr-97	No: 1
Modified Article: Parts Catalog		Prepared by: A.Sasaki	
From: QAC 1st Field Information Dept.			
Reason for Modification:	<input checked="" type="checkbox"/> Parts catalog correction	<input type="checkbox"/> Vendor change	<input type="checkbox"/> To meet standards
	<input type="checkbox"/> To facilitate assembly	<input type="checkbox"/> To improve reliability	()
	<input type="checkbox"/> Part standardization	<input type="checkbox"/> Other	

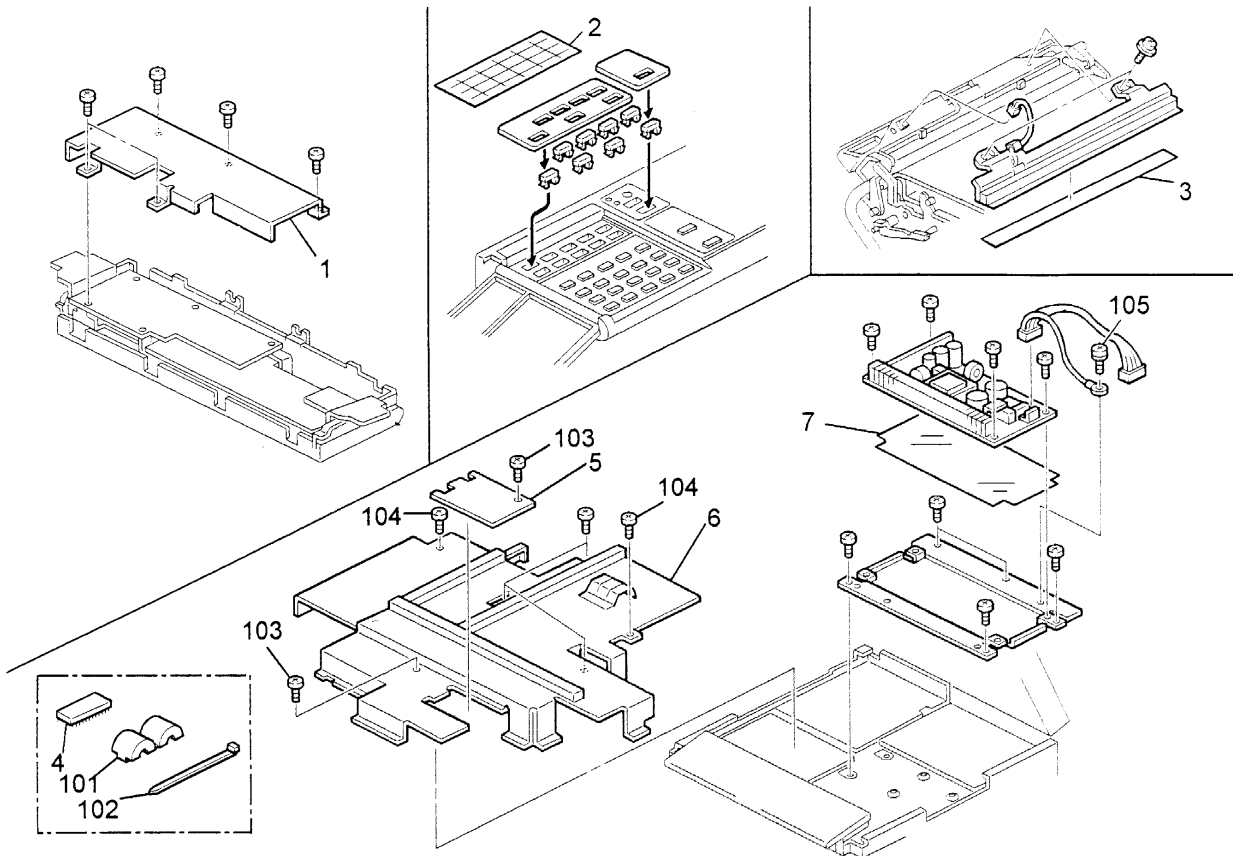
Please add the following parts and the illustrations to your parts catalog.

Old P/N	New P/N	Description	Q'ty Used	Parts Catalog		Reason
				Page	Index No.	
	A6241221	EXU Shield Cover - Basic	0 → 1		1	To meet the EMI standard
	A6241306	Decal : Guidance	0 → 1		2	For other languages
	A1666164	Seal - PTL	0 → 1		3	P/C Correction
	A6245092	IC - Printer (IC No. 238)	0 → 1		4	P/C Correction
	A6241215	Shield Cover	0 → 1		5	To meet the EMI standard
	A6241213	EXU Shield Cover - Edit	0 → 1		6	To meet the EMI standard
	AA150676	Sheet	0 → 1		7	P/C Correction
	16070623	Ferrite Core - TFC-16-8-13	0 → 1		101	To meet the EMI standard
	11050042	Wire Band	0 → 2		102	To meet the EMI standard
	03140060B	Philips Pan Head Screw - M4x6	0 → 2		103	To meet the EMI standard
	03130080B	Philips Pan Head Screw - M3x8	0 → 2		104	To meet the EMI standard
	08010149	Philips Pan Head Screw - M4x6	0 → 1		105	To meet the EMI standard

Model: I/K Kit Type D for Azalea

Date: 15-Apr-97

No: 1



Model: I/K Kit Type D for Azalea

Date: 15-Apr-97

No: 1

One screw was added to the Controller Interface Type D from March mass production. Please correct the following part in your parts catalog.

Old P/N	New P/N	Description	P/C Location		Reason
			Page	Index No.	
03130050B	03130080B	Philips Pan Head Screw - M3x8	2	101 → 103	To mount the EXU bracket on the SCU

